

## Innovation That Makes Sense

The **Amvex Integrated Flowmeter** outlet combines a Dial Flowmeter and a Medical Gas Outlet into one **single compact design**.

Gas Specific Labeling and Fittings  
Medical Oxygen and Medical Air

Supply Outlet 50 PSI



Adjustable Knob for flow control  
Ranges available: 0-8 LPM, 0-15 LPM, 0-25 LPM

Flow Indicator

Flowmeter Port

**PATENT PENDING**



# Integrated Flowmeter... always there when you need it!

## Product Benefits

Amvex Integrated Flowmeter outlet combines a Dial Flowmeter and a Medical Gas Outlet into a single compact design. The right side port connection has a control knob which allows the user to adjust the flow setting, while the left side port is a direct connection to the gas supply.

The Amvex Integrated Flowmeter saves space, reduces construction costs, and ensures healthcare providers always have a Flowmeter when they need one.



Visit [www.amvex.com](http://www.amvex.com)  
for more Integrated  
Flowmeter Information





**ENDLESS OPTIONS**

**RETRO-FIT CAPABILITIES**

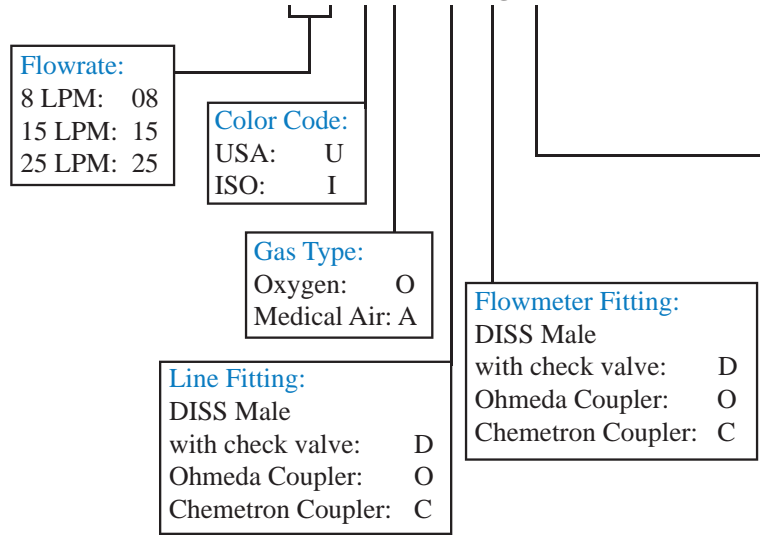
- Easy to read and determine flow levels
- Solid construction and streamlined design
- Flow Indicator ball indicates that gas is being delivered
- Safest, most convenient way to dispense Oxygen & Medical Air
- Minimizes cross contamination
- No more lost, chained, or broken Flowmeters
- Retrofit existing outlets
- Additional outlet can be used for Specialty Flowmeters, Hoses, or a connection for Ventilators

**AVAILABLE IN ISO COLORS**



**Part Configurator**

**FI-CXXYZ-WQ-S**



**Outlet Compatibility:**

Diamond 1*:	A
Diamond 2&3: Beacon Medaes Diamond Care:	B
Ohio Medical™ Amico Beacon Series B Gentec Oxequip/Medstar Series #7 or 5/8-24*:	E
Puritan Bennett Series 73* Puritan Bennett Series "A"* Puritan Bennett Litharge* NCG/Chemetron Series 500, 560* Oxequip/Medstar Smooth Bore or 5/8-27*:	F
NCG/Chemetron Series 148, 400, 460*:	G

*Note: \*Requires A Retrofit Kit*

TRUSTED BRANDS OF OHIO MEDICAL™



Amvex Corporation  
25B East Pearce Street, Richmond Hill, ON., L4B 2M9 Canada  
Toll Free: 866-462-6839 - Fax: 905-764-7743

[www.amvex.com](http://www.amvex.com)  
MK-FI-SPEC-U 07/10