

5 YEAR WARRANTY



Oxygen Flowmeter Medical Air Flowmeter

CE
0413

5 YEAR WARRANTY



Medical Air Dial Flowmeter Oxygen Dial Flowmeter



Twin Flowmeter Assembly



Specialty Flowmeters

Flowmeters

Thorpe Style, Dial, Twin and Specialty

Product Benefits

Amvex Corporation offers a complete line of Flowmeters from Neonatal to Adult. Flowmeters are available in the Standard Thorpe style (available in Oxygen, Medical Air, Heliox, CO₂) and Dial Style (available in Oxygen and Medical Air). All Flowmeters come with a standard 1/8" FNPT connection, but may also be fitted with different adapters and accessories to customize your needs. MRI options are also available.

The Amvex Thorpe and Dial Flowmeters are CE marked and designed to meet all current CGA, HCA, and FDA requirements. Amvex Flowmeters are available in ISO, USA colors, as well as Twin and Single.



Visit www.amvex.com for the flowmeter part configurator and much more!

Thorpe style

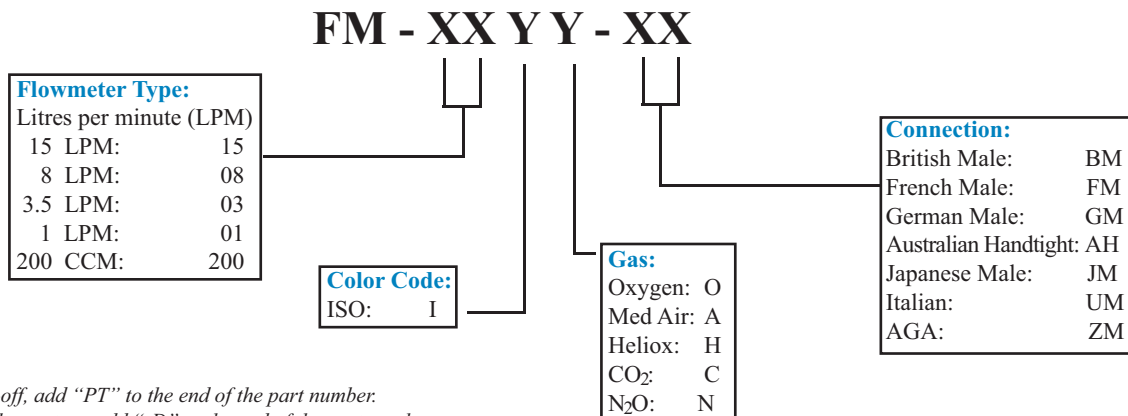
- The smallest and lightest chromed brass bodied flowmeter in the industry
- Available in 15, 8, 3.5, 1 LPM and 200 CCM
- Available in Oxygen, Medical Air, Heliox and CO₂
- Color coded inner tube and labelling
- Easy to service
- No strip "D" shape knob
- Includes an inlet filter and inlet extension
- Back pressure compensated so flow accuracy is not affected by restrictions
- Available in 50 or 60 PSI

Dial style

- Available in Oxygen in 25, 15, 8 and 4 LPM
- Available in Medical Air in 25 and 15 LPM
- Smallest and lightest in the industry
- Smallest increment is 1/32
- Color coded labelling for specific gas
- Encased in an anodized aluminum housing
- Easy to read window



Part Configurator



** NOTE:*
 For Power Take-off, add "PT" to the end of the part number.
 For Dial Style Flowmeters, add "-D" to the end of the part number.
 (Dial is available in Oxygen in 25, 15, 8, 4 LPM and Medical Air in 25, 15 LPM).
 For MRI add "-M".
 For 60 PSI add "60" after the Gas and before the Connection in the part number.

represented by: