

Innovation That Makes Sense

The **Amvex Integrated Flowmeter** outlet combines a Dial Flowmeter and a Medical Gas Outlet into one **single compact design**.

Gas Specific Labeling and Fittings
Medical Oxygen and Medical Air

Supply Outlet 50 PSI



Adjustable Knob for flow control
Ranges available: 0-8 LPM, 0-15 LPM, 0-25 LPM

Flow Indicator

Flowmeter Port



PATENT PENDING



Integrated Flowmeter... always there when you need it!

Product Benefits

Amvex Integrated Flowmeter outlet combines a Dial Flowmeter and a Medical Gas Outlet into a single compact design. The right side port connection has a control knob which allows the user to adjust the flow setting, while the left side port is a direct connection to the gas supply.

The Amvex Integrated Flowmeter saves space, reduces construction costs, and ensures healthcare providers always have a Flowmeter when they need one.



Visit www.amvex.com
for more Integrated
Flowmeter Information





ENDLESS OPTIONS

RETRO-FIT CAPABILITIES

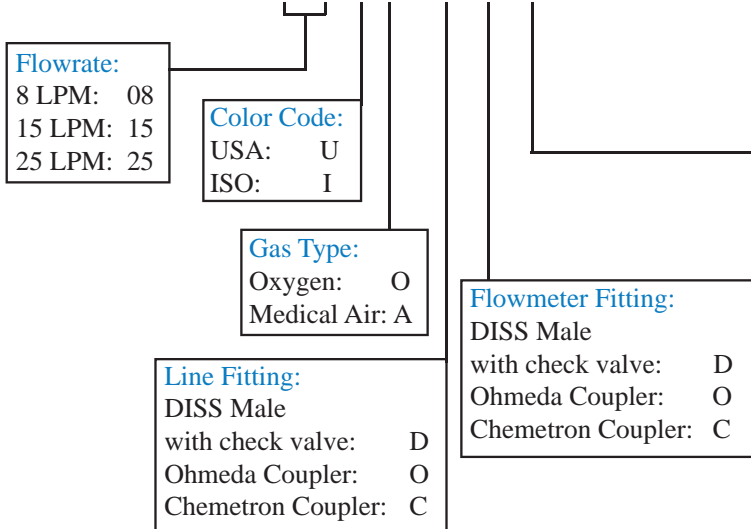
- Easy to read and determine flow levels
- Solid construction and streamlined design
- Flow Indicator ball indicates that gas is being delivered
- Safest, most convenient way to dispense Oxygen & Medical Air
- Minimizes cross contamination
- No more lost, chained, or broken Flowmeters
- Retrofit existing outlets
- Additional outlet can be used for Specialty Flowmeters, Hoses, or a connection for Ventilators

AVAILABLE IN US COLORS



Part Configurator

FI-CXXYZ-WQ-S



Outlet Compatibility:	
Diamond 1*:	A
Diamond 2&3:	
Beacon Medaes Diamond Care:	B
Ohio Medical™	
Amico	
Beacon Series B	
Gentec	
Oxequip/Medstar Series #7 or 5/8-24*:	E
Puritan Bennett Series 73*	
Puritan Bennett Series "A"*	
Puritan Bennett Litharge*	
NCG/Chemetron Series 500, 560*	
Oxequip/Medstar Smooth Bore or 5/8-27*:	F
NCG/Chemetron Series 148, 400, 460*:	G
<i>Note: *Requires A Retrofit Kit</i>	

TRUSTED BRANDS OF OHIO MEDICAL™



Amvex Corporation
 25B East Pearce Street, Richmond Hill, ON., L4B 2M9 Canada
 Toll Free: 866-462-6839 - Fax: 905-764-7743

www.amvex.com